

# SAFE DRAWER - TOP MOUNT DOUBLE

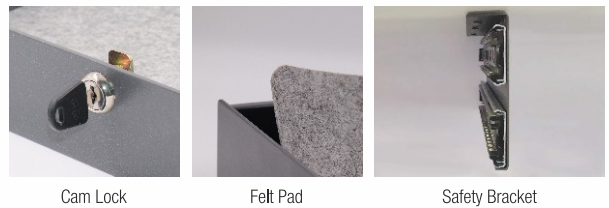
## Special Features

- Ready to use ceiling mount safe metal drawer with felt mat is suitable for multipurpose applications at home, offices, retail stores, etc.
- Safety Mounting Bracket ensures that the drawer cannot be removed as long as it is in locked position.
- Drawer dimensions: 470 X 300 X 120mm
- System 32 compatible.
- Load capacity: 30kg
- Can be retrofitted on your existing tables or wooden shelves.



## Specifications

Item	Code Nos.	Size	Finish
Safe Drawer - Top Mount (Double) without Mat	SD - TM1D	470 x 300 x 125	AT, WT
Safe Drawer - Top Mount (Double) with Mat	SDM - TM1D		



## Fitting Instructions

1. Minimum horizontal width required is 470mm.
2. Drill as per drilling diagram as shown in Fig. 1.
3. Screw the mounting brackets under the table top.
4. Slide in both the trays till it automatically latches.
5. Both trays can be removed by depressing the latches on each side and pulling the tray out as shown in fig 2.

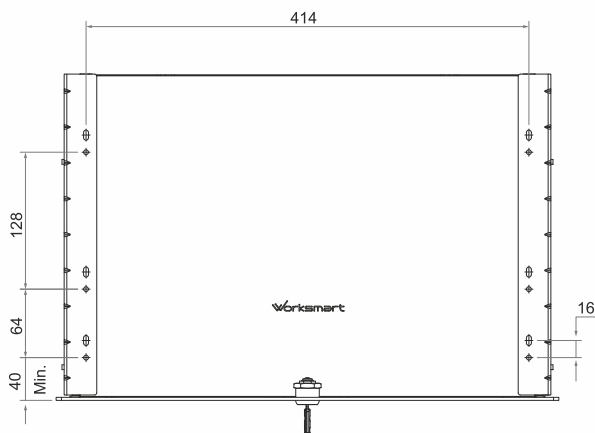
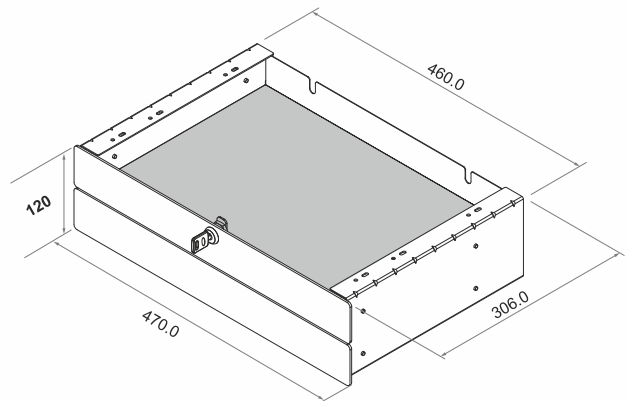


Fig. 1

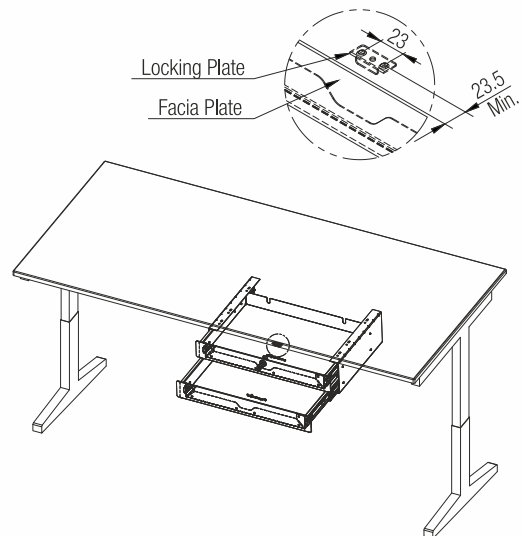


Fig. 2